

# Boundary Sewer Valve Assembly

The Gillies Boundary Sewer Valve (BSV) is a three in one combination valve designed for low pressure sewer boundary isolation.



TECHNICAL GUIDE: **AVH4.5**

## Applications

Low pressure sewer system boundary valve

## Product Attributes

Integral ball and check valve  
Check valve fully serviceable in line  
1 1/4" BSP flushing port  
BSP female ends  
Drip tight shut off  
Corrosion resistant 316 SS (CF8M)

## Quality

Manufactured and tested according to ASME B16.34  
Manufactured in facility with ISO 9001:2015, ISO 14001:2015  
Third party tested to AS4796:2016 in NATA certified facility

The Gillies BSV provides a connection point for the individual houses in a low pressure sewer network.

Supplied as a single unit, the Gillies BSV contains a two-piece ball valve, soft seated check valve and integral flushing port. With the check valve designed to be serviceable in line and the flanged two-piece ball valve body design, this valve provides serviceability without complete removal from the box.

### Product Attributes

- With a short face to face dimension, this valve is easy to fit and made from robust, corrosion resistant CF8M stainless steel. (The cast equivalent of 316SS).
- Each factory tested valve has a square drive for the ball valve, complete with thumb lugs for easy hand operation if required. These lugs also clearly indicate when the valve is open or closed.
- The 1 ¼" (32mm) BSP flushing port offers easy access for flushing and is mounted on top of the separate check valve servicing flange. This port is sealed with an o-ring for consistent performance.

### Applications

- The Gillies Boundary Sewer Valve (BSV) is a three in one combination valve designed to be fitted to the PE pumped sewer discharge line at the point of connection between the property and the municipal sewer network system.

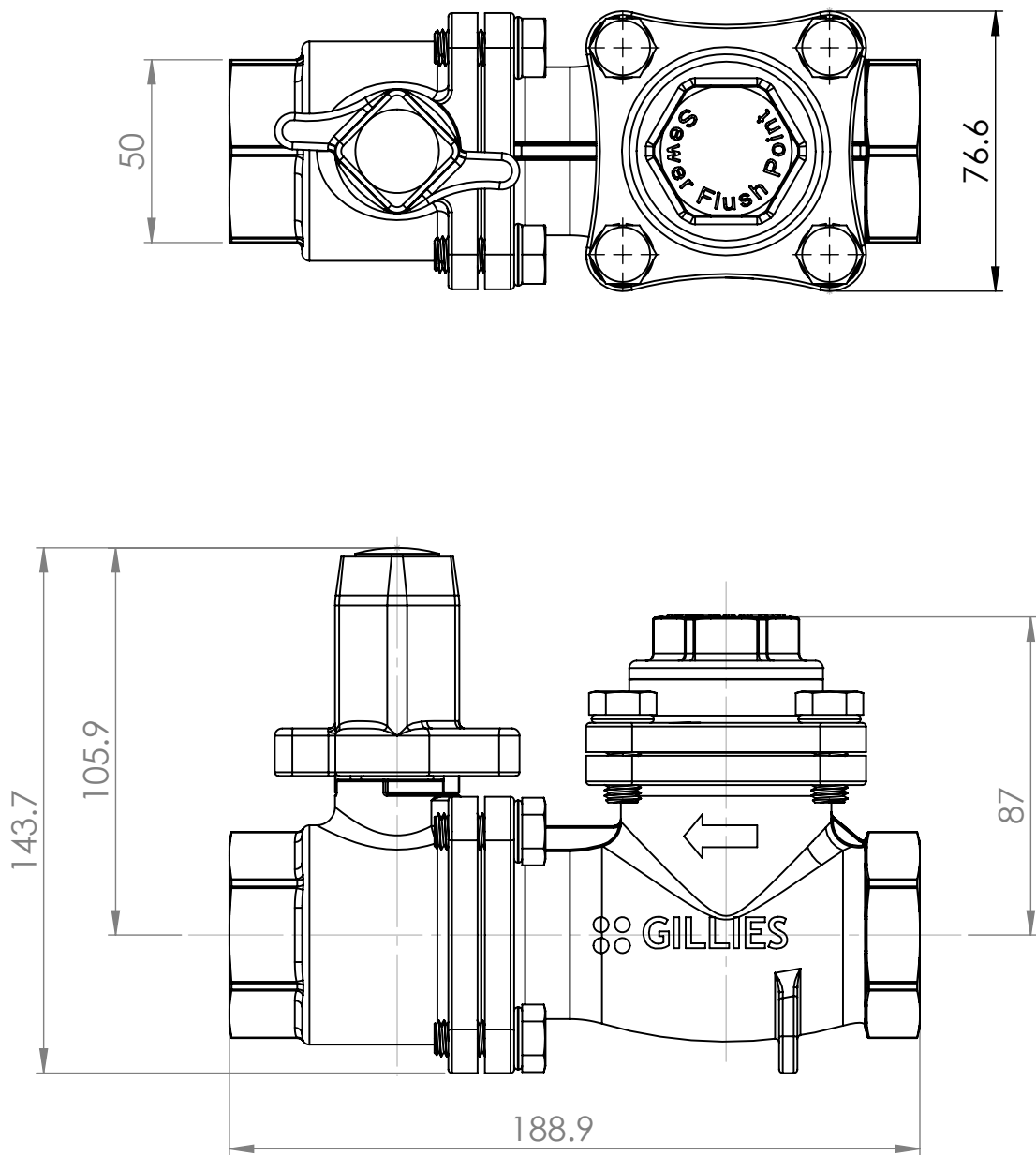
**Note:** Connections between the valve and the PE Line must be in accordance with the specification of the relevant local authority.



FIG. 1 Side, front and top view of the BSV

**TABLE 1 Sewer Boundary Valve Kit**

Code Complete	Description
VBSEW32COMP	Sewer Boundary Control Valve Complete
BOM	
FP-MTCB-040-32BSPSS x 2	Male Trans Coupling PN16 SS316 40x32 BSP
VBSEW032SS x 1	Valve Boundary Sewer SS 32mm Ball & Check
WMBOXBSB x 1	Boundary Sewer Box With Lid 305x435x305mm



**FIG. 2** BSV Dimensional Drawing



Scan for more  
information

**Disclaimer:** While every effort has been made to ensure that the information in this document is correct and accurate, users of Hygrade Water Infrastructure product or information within this document must make their own assessment of suitability for their particular application. Product dimensions are nominal only, and should be verified if critical to a particular installation. No warranty is either expressed, implied, or statutory made by Hygrade Water Infrastructure unless expressly stated in any sale and purchase agreement entered into between Hygrade Water Infrastructure and the user.

**March 2024**

**+61 7 38059186**  
**hygradewater.com.au**

**BRISBANE** (Head Office) 42-44 Blue Eagle Drive, Meadowbrook, QLD 4131  
**SYDNEY** 2/35 Prime Dr, Seven Hills NSW 2147, Australia  
**MELBOURNE** 20A Frances Drive, Dandenong South 3175

**HW** **HYGRADE WATER**  
INFRASTRUCTURE